

**Actual Size:** 27" x 59" x 40" • (68.58cm x 149.86cm x 101.6cm)

**Shipping Size:** 30" x 62" x 49" • (76.2cm x 157.5cm x 124.5cm)

**Net Weight:** 215lbs • (97.5kg)

**Shipping Weight:** 365lbs • (165.6kg)

**Seat Width:** 20" • (50.8cm)

**Unoccupied Water Capacity:** 85gal • (322L)

**Occupied Water Capacity:** 45-65gal • (170-246L)

## Included Features (Soaking)

1. Acrylic shell gloss white finish fiberglass gelcoat reinforced
2. Stainless steel frame with adjustable leveling legs
3. Plastic composite and tempered glass outward swing door with 3 latch gear & shaft mechanism
4. Removable front apron with two access panels
5. One reversible end panel
6. Stainless steel chrome finish wall-mounted grab bar
7. Two 2" 4-port PVC drains with 2 end caps included, 2 overflows, 2 stainless steel operated openers with extended handles in chrome finish

## Jetting & Therapy Options

1. Air + Hydro (Digital Controller only , LED Chromatherapy and Light Included)
2. Hydro + Hydro Independent Foot Massage (Push Button only LED Chromatherapy Light Included) \* (2)
3. Hydro Massage + Microbubble (Push Button only LED Chromatherapy Light Included)
4. Hydro Massage (Push Button only LED Chromatherapy Light Not Included)
5. Soaking (Push button,Digital Controller, LED Light Included Not Included)



## Jetting & Therapy Systems

### Hydro Massage

- Hydro Massage Pump 7A 900W
- Intensity Dial Air Control
- Ozone Sterilization 0.04A
- 17 jets (11 Seat Jets 4 Foot 2 Calf Jets)
- In-line Water Heater 6A 800W

### Hydro + Hydro Foot Massage \* (2)

- 2 Hydro Massage Pumps 5A + 7A
- 2 Intensity Dial Air Controls
- Ozone Sterilization 0.04A
- 17 jets (11 Seat Jets 4 Foot 2 Calf Jets)
- In-Line Water Heater 6A 800W

### 2 Piece Faucet

- Up 10 16GPM @ 60PSI an ideal in-home plumbing conditions
- Two 5' water supply lines with 3/4" connectors
- Pull out, hand held, chrome plated hand shower with a 5' ft. retractable stainless steel braided hose

### Air Massage

- Air Massage Pump 4.5A 500W
- 3 Speed Pump
- Auto-purge (Activates 20 minutes after pump shutdown)
- 16 jets (8 Seat Jets 8 Foot Jets)

### Microbubble Therapy

- 1 HP Pump 7.3A
- Pressure Vessel
- On/Off push control
- Agitator Valve

### Optional Features

- 1.Heated Seat and Backrest

**Note:** LED Chromatherapy light .04AMP with On/Off Digital Controller is included with the following dual packages: Hydro + Air, Hydro + Micro, Hydro + Hydro

**Disclaimer\*:** AMP value for each pump may change based on availability. Please verify before purchase. (800.480.6850)

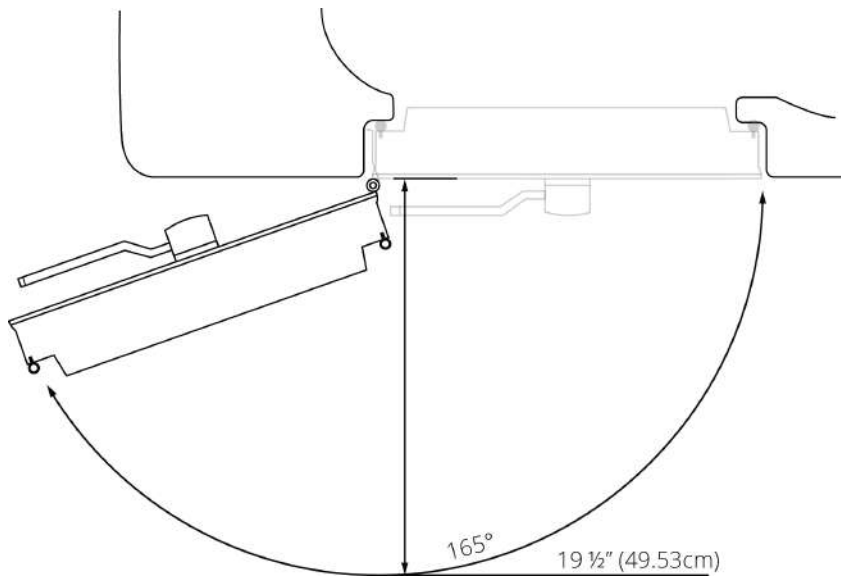
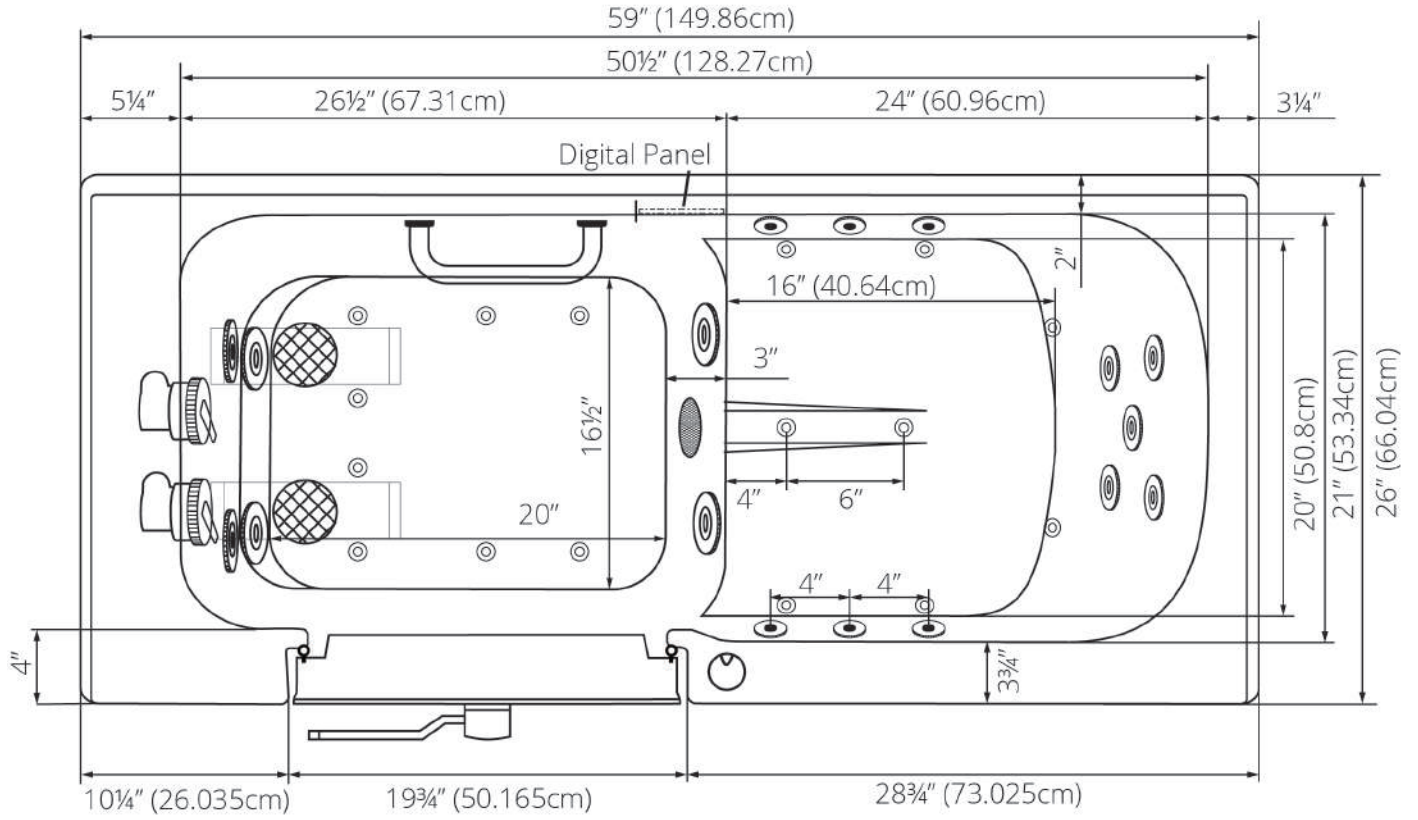
### Electrical Requirements

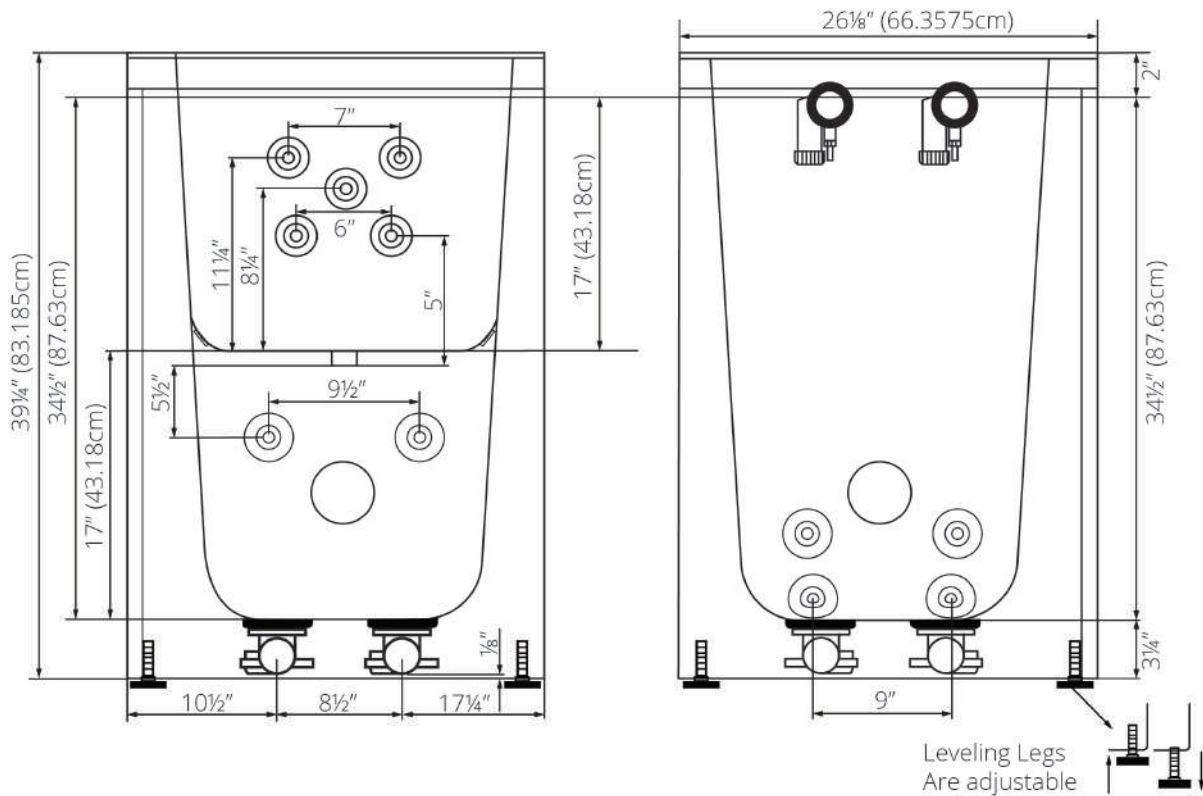
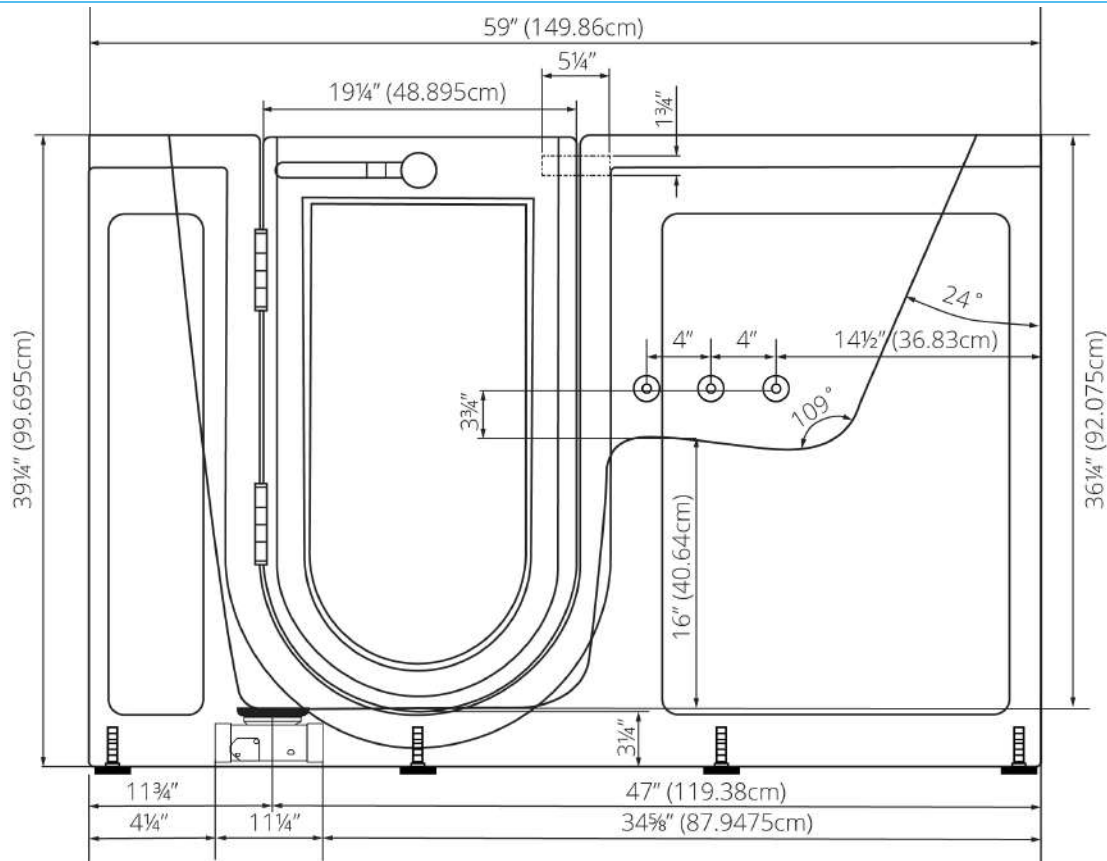
Dedicated GFCI protected electrical line(s)required 110/120V 60Hz

### Warranty

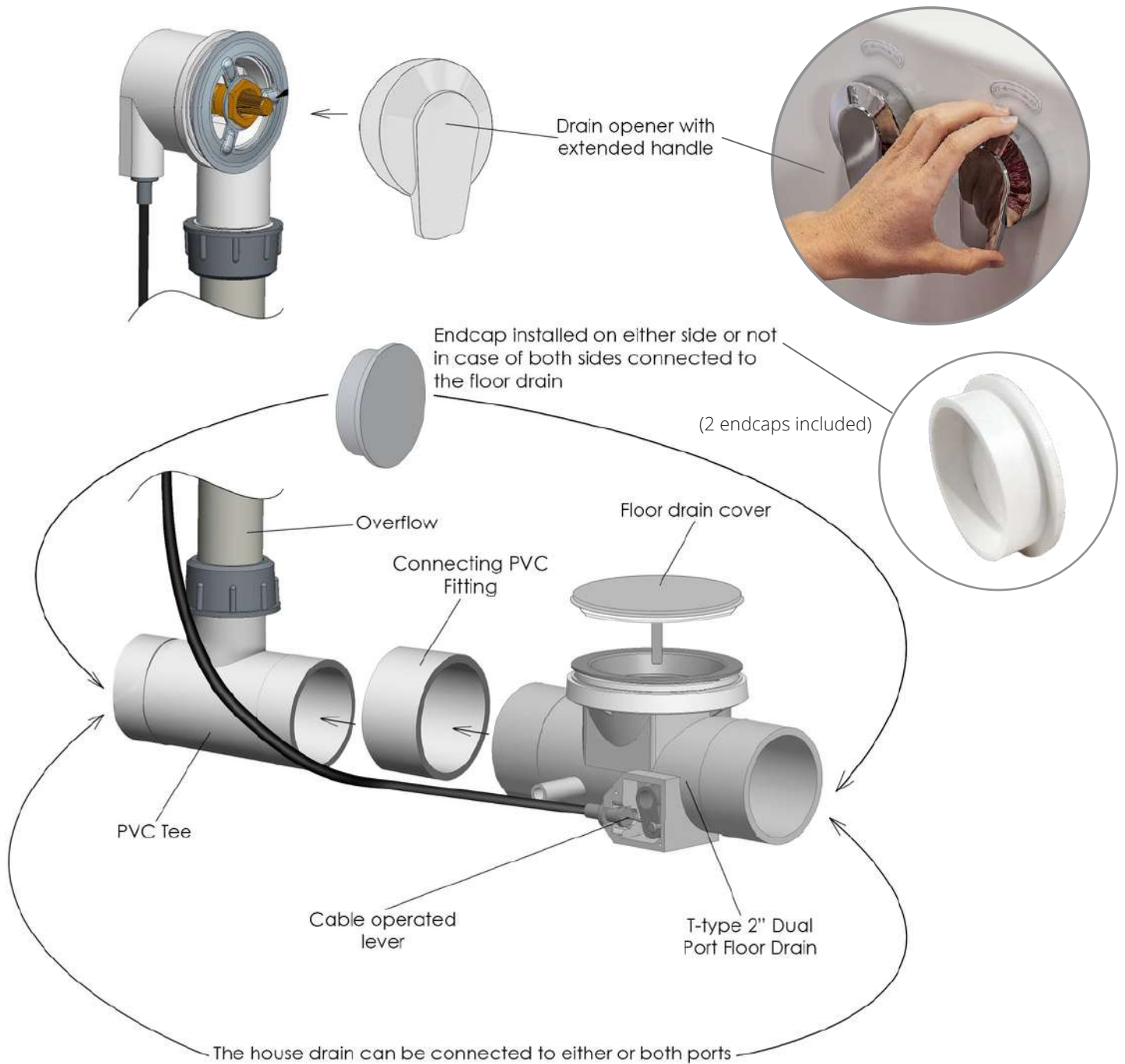
- Lifetime limited\* warranty on shell, frame, door, and parts to original purchaser/Address
- Labor or installation is not covered - please refer to the Ella warranty certificate
- Non Ella brand faucets covered under manufacturers original warranty

# Lounger Acrylic Outward Swing Door Walk-In Bathtub Specifications





## Dual Drain Technology - Two 2 Inch Independent Floor Drains





Two 3/4" connector water supply lines included with Ella Fast Fill Faucets  
Connect to Shut Off Valves (not included)



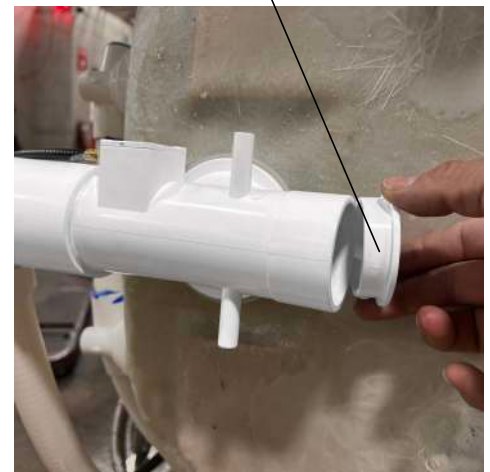
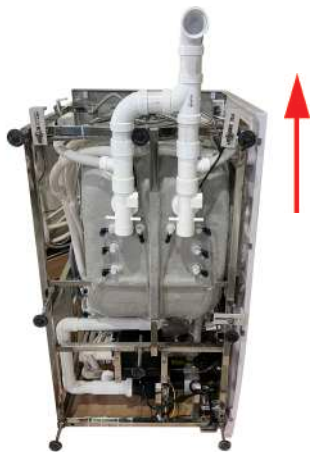
All electrical fixtures connect to a dedicated GFCI protected outlet or GFCI protected Circuit Breaker.



Images below show examples of PVC pipe connections (not included). Reducers can be used to connect smaller drain pipes.

T-Type four (4) 2" drain ports allow for the drain pipe to be installed in either direction.

Drain Caps Installed On Either Side Of The Drain unused Port.



**Description**

Solid brass spout chrome finish single lever high flow bathtub faucet with diverter button Two (2) 3/4" 5' braided stainless- steel supply lines. Pull out hand shower mixer with back-flow prevention valve 5 settings and 5' braided hose in a Chrome or Brushed Nickel finish.

**Flow**

- Hand shower is limited to 1.9 GPM (7.5L/min)
- Faucet fill rate designed for 16 GPM (68.1L/min)

**Cartridge**

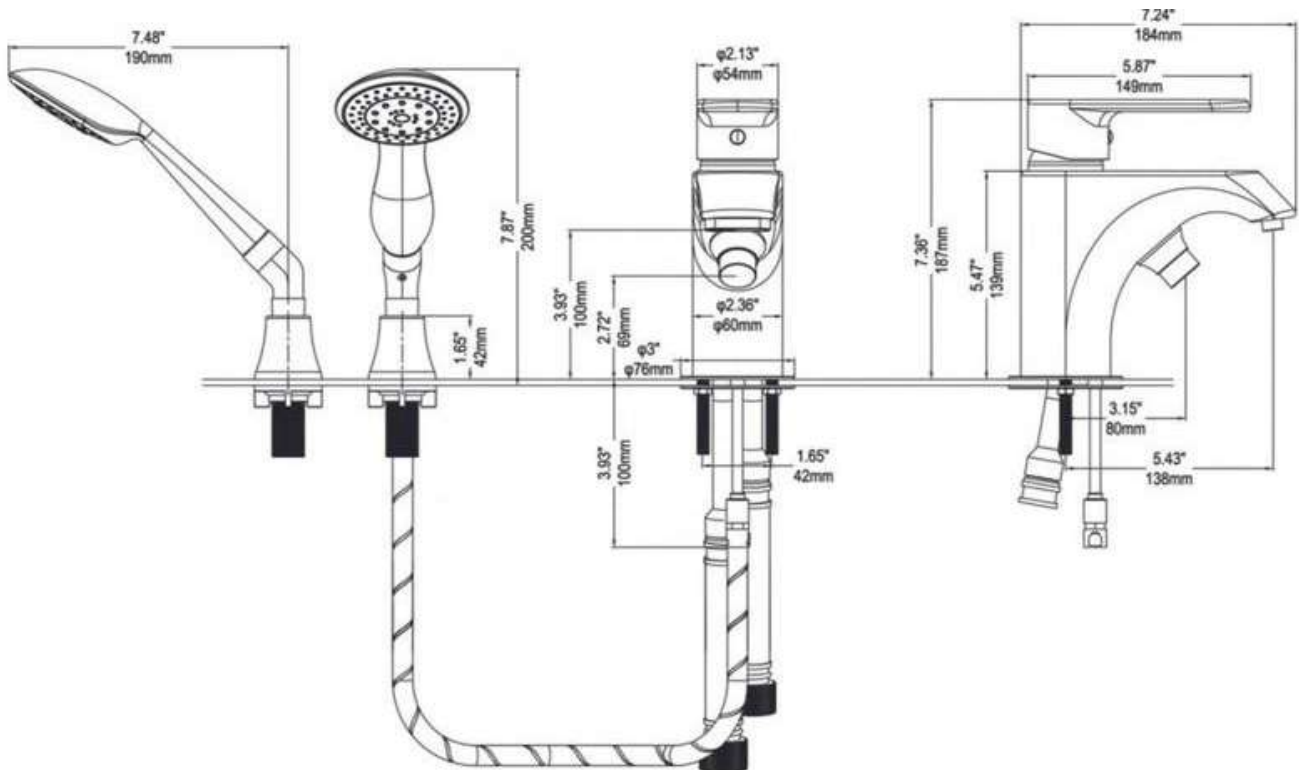
- 40mm high flow cartridge design
- Nonmetallic/nonferrous and stainless-steel material

**Standards**

- Third party certified to meet: CSA B125.1, ASMEA112.18.1, ICC117.1 and all applicable requirements referenced therein
- Certified to ANSI/NSF 61/9
- ADA for lever/handle
- IAPMO R&T UPC certified

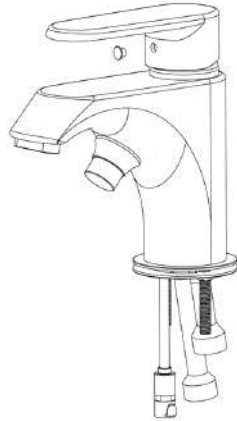


NOTE: This faucet is designed to be installed through 2-1/2" diameter hole for faucet, 1/3" diameter hole for mounting rods, and a 7/8" diagonal hole for the hand shower.



Step-by-step Instructions to replace a valve cartridge for Ella 2-piece faucets.

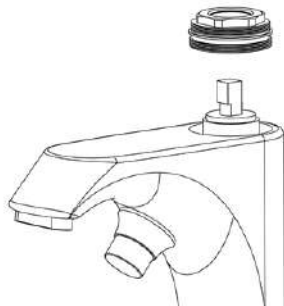
Step.1 Remove the Hot/Cold screw hole cover.



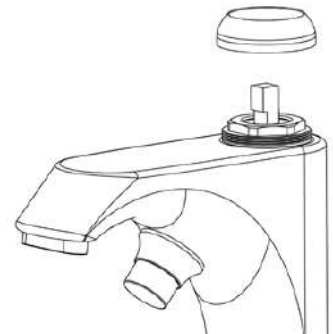
Step.2 Use an Allen wrench to remove the handle Screw.



Step.3 Take out the handle and remove the brass escutcheon



Step.4 Use a wrench to unscrew the pressure cap.



Step.5 Remove the cartridge and replace it with new piece.

